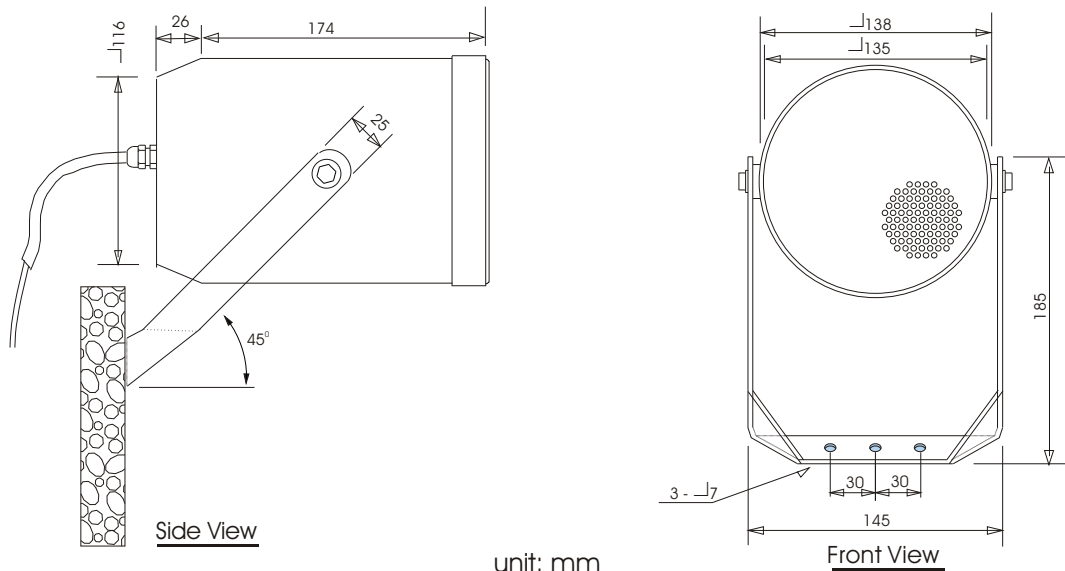


Installation instructions



1. Remove back lid of the unit (cable gland end) if you have not requested our factory to fit the cable for you and connect input cable to the ceramic terminal block through the cable gland provided.

CAD20/T and CAD20/TC (for voice alarm systems compliant to BS5839 part 8)

The connections:

Black = Common
Yellow = 2.5 watts
Orange = 5 watts
Blue = 10 watts
Red = 20 watts

Important Note

Please ensure that the input cable is connected to the selected terminal inside the loudspeaker chamber and to no other connection as the unused transformer tapping must always be isolated from one another.

Example: CAD20/TC use the Black wire (common) and the red wire for 20 watts tapping. Use the Black wire (common) and the Blue for 10 watts, etc.

2. Secure the cable gland tight, ensuring that all the rubber washers are in place for the fixing screws. You will observe that around the inner section of the chamber where the back lid was removed there is a large rubber washer, please make sure that this is in place when re-locating the back lid.

3. Drill the mounting location holes for the unit in line with the "U" bracket (2 holes 30 millimetres apart) in the surface where the loudspeaker is to be located.

4. Before putting 100 volt line through the unit it is advisable to check the impedance of the circuit.

5. On checking the line impedance the speaker is in an operational mode.