

CONFERENCE SYSTEM 400



A comprehensive conference system for up to 80 users can be provided using FBT's System 400. Connected using the 'daisy chained' method, the Delegate and Chairperson's microphones are easy to install using the supplied cables.

Each unit provides internal loudspeaker, control panel and gooseneck microphone with ring LED, the chairperson's microphone having optional priority facility.

System 400 is further enhanced with the ability to operate in a number of different modes, dependent on the requirements of the installation/venue. These are controlled by the SLGC 099 Management Console:

Automatic Mode ~ No one person is in control and the microphones operate on a FCFS basis.

Manual Mode ~ Management of the system is handled via a specific person using the SLGC 099 control console.

Limited Mode ~ Allows the number of active users at any one time to be pre-set as well as the length of time each microphone is active.

Further additional features include an illuminated electronic voting board showing Yes, No, Abstain and Not Voted numbers, and PC based Operation Software to allow full control of system set up, voting and control of external auto dome cameras.



SLBC 400
Microphone base for complete conferencing applications



AASL 100
Power supply unit and interface for all audio systems



CON 41/99 INTERFACE
For connection of 400 Series Conference System with SLGC099 console/controller



SLTL 100
Illuminated electronic board with high visibility

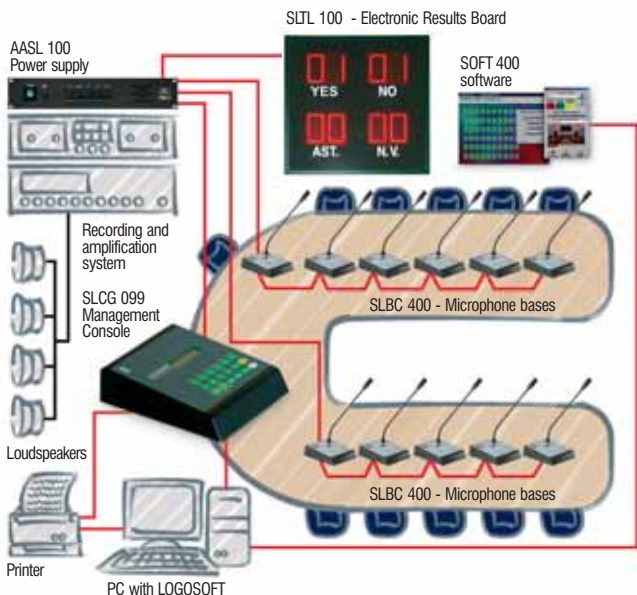


SLCG 099
Management console and operating control unit for the conference system



SOFT 400 PROFESSIONAL
Autodome cameras

SOFT 400 BASIC
Software



SLBC 400

Microphone base



SLBC 400 desktop microphone base features electret gooseneck microphone with ring LED to indicate the microphone is active, a base unit incorporating the operational electronics, LCD panel and an in-built loudspeaker.

Functions of the LCD panel include the status of the microphone console (enabled or reserved), message indicators from the Chairperson's Microphone (Finish or Speed Up) or from a typist or interpreter.

The Chairperson's microphone is identical apart from the additional Priority and Finish features.

All bases cascade together for ease of installation or removal after use.

Order Codes:

SLBC 400 Freestanding
SLBC 405 Flushmount

	SLBC 400	SLBC 405
Power supply	17-20V DC (da AASL 100)	
Power input	150mA max	
Output signal	700mV su 2.2 kohm	
Microphone type	electret, cardioid	
Frequency response	100Hz~15KHz	
Speaker power	1W	
Display	16 characters/2 lines backlit	
Base dimensions	155 x 195 x 50mm	
Weight	1.2kg	
Gooseneck length	530mm ('L' model 650mm)	

AASL 100

Power supply



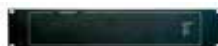
The **AASL 100** is the system power supply unit for up to 80 microphone bases, as well as the audio interface for linking the System 400 to an external PA System or recording device.

Further features include Monitor Loudspeaker, Volume and Tone Controls, Aux Input and 4 separate output points to allow easy load, microphone base distribution.

Model	AASL 100
Power supply	220V AC - 50Hz
Power input	90VA
Connections	Female cup connector 9/15 pin jack, RCA (REC), Jack 6.3mm (IN-OUT)
Input	200mV balanced 10 kohm
Output signal	PA 1.5V~22 kohm balanced REC: 500mV - 1 kohm unbalanced
Operating temp.	10~45°C
Storing temp.	5~45°C
Dimensions	285 x 88 x 435mm
Weight	4.5kg
Mounting	19" rack mounted (2U high)

CON 41/99

Interface



Interface unit to allow the System 400 to be controlled by the SLCG 099 Management Console.

When used in this method up to 99 Microphone bases may be installed/utilised.

SLTL 100

Illuminated electronic results board



SLTL 100 is the illuminated electronic board on which the votes cast from the **SLBC 400** Microphone Bases are displayed. The readout includes votes in favour (YES), those contrary (NO), those abstaining (AST) and the participants who have not voted (N.V.). The figures consist of segments with 6 LEDs each; each LED is equipped with a light concentrator so as to enable clear visibility from longer distances.

SLCG 099

Management console



The Management Console provides the facility to operate the Conference System in two different modes: open conference (where in all participants switch their individual microphone bases off and on) and moderated conference, which can be further separated into:

- **Manual;** with a human controller operating the Console: the controlling operator collects requests to speak and enables the next microphone in the queue one at a time ('speak time' can be set to a fixed period).
- **Automatic;** with no need for a human controller in charge of the Console, which functions automatically: each participant sends a request to speak from their microphone base and the microphone is opened when the previous speaker finishes and the relative microphone is closed. Speaker contributions can be time-limited.
- **Limited;** when the microphone bases in the request to speak queue are enabled in zones (up to 6 bases at a time). Speaker contributions can also be time-limited (fixed time).

The SLCG 099 Console also manages voting, which takes place on the microphone bases (YES / NO / ABSTAIN) with the facility to authorise or exclude individual bases

SOFT 400 BASIC

Software

SOFT 400 PROFESSIONAL



Soft 400: management software capable of managing up to 99 microphone bases in the modes supported by the conference system.

Different functions can be set by the user to assure more identity and flexibility, such as, for example, the possibility to change the background image and name attributed to each microphone base, etc.

The Soft 400 will also allow for advance preparation of delegate titles, provides continuously updated voting data and statistics and automatically stores information to a database for future reference, printing, etc.

The software can also be viewed from a chairman/delegate point and can be projected to a large screen for public viewing.