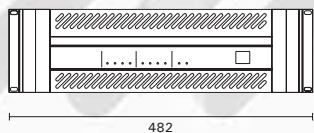


MCA 2240 A

2 X 316W DUAL CHANNEL 100V LINE POWER AMPLIFIER



Monoblock power amplifier with 2 independent channels of 316W each

2 output transformers for constant voltage systems, with several output sockets

Frequency response 40Hz~20kHz

Configurable as 2 x 316W or 1 x 632W

Designed to operate in emergency conditions

2 inputs for each power stage, one having priority over the other

Phantom power supply

Optional card for remote volume control (MMZ-VRC)

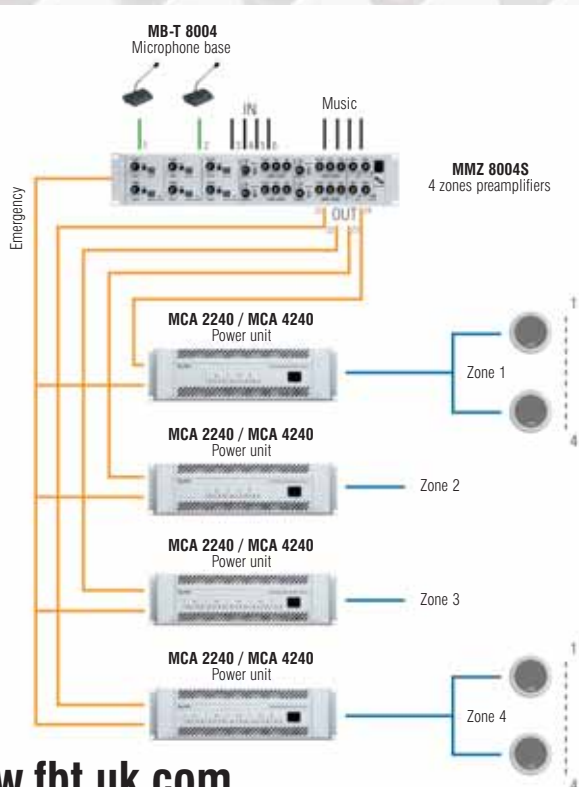
Remote failure signal control,

which will also activate a recovery module

Protections: thermal, short circuit and fuse on each amplifier

PWM technology with 90% performance

19" Rack mounting, 3U high



MCA 2240 A

Characteristics	Monoblock amplifier with 2 channels 2 x 316 W RMS
Continuous power with all piloted channels	2 x 316 W RMS at 100V, 50V, 33V or 8 ohm, 1 x 632 W RMS at 100V, 70V, 50V
Frequency response @1 W -3dB measured on output 33V	40Hz~20kHz
Harmonic distortion THD+N	< 0.1%
Signal/noise ratio	80dB (with filter 22Hz~22kHz)
Separation between channels	-66dB @100Hz, -75dB @ 1kHz, -70dB @ 10kHz
Inputs	A and B balanced, with screw connector (B priority)
Input impedance	10 kohm (unbalanced) 20 kohm (balanced)
Input sensitivity	0dBu (0.775V) with balanced input, 6dBu with unbalanced input
Controls	Level control for each channel on rear panel
Emergency input signals	0dBu
Phantom power supply	48V activated on all B inputs of each channel
Failure output, emergency	Open collector 12V DC/80mA max
Output power supply	Power supply $\pm 15V$ DC, max 100mA on each channel
Output connector type	Three pin Faston connectors: common, line, emergency
VAC power supply	230V 50Hz
Absorption	550W (@ max power with music signal)
Operating conditions	-20°C~40°C with max. humidity < 90%
Protections	Thermal, short circuit, fuse on each amplifier
LED indicators for each power stage	Input signal, saturation, thermal protection, power stage malfunction
Optional accessories	Card for remote volume control of 2 channels Model MMZ-VRC
Weight	30kg
Dimensions	482 x 132 x 430mm (3U rack)