

Conference **SYSTEMS**

Graphics Studio Conti Still-life Photo F:16 studio G. Saluzzi Typesetting Cromolux Printing Tecnostampa



Conference Systems

Zona Ind.le Squartabue 62019 Recanati (MC) - Italy
Tel. +39-071 750591 r.a. Fax +39-071 7505920
www.fbt.it e-mail: info@fbt.it

Distributed by



Strength of a trade name

The love of music and the application of this love on an industrial level to sound reinforcement are part of FBT's genetic make up.

Because FBT traces its origin back to a special, unique part of the world in the Marche region of Italy called Recanati, where music has always been an essential part of the very fabric of civilization.

The company, established in the Sixties, is today recognised as a leader in the manufacture of loudspeakers, amplifiers, mixers and ambient amplification systems, under its own name and with the "QUBE" brand name, fruit of its partnership with the American firm RENKUS-HEINZ.



The entrance to FBT offices



Ambient acoustic study

"Audio Contractor" Division

FBT Elettronica Audio Contractor is a Division specialised in products, systems and projects for Public Address amplification systems. Audio Contractor, though it's the youngest division in FBT Elettronica, represents the "formalization" and the "exaltation" of an activity that had already been performed for more than 40 years in this specific market segment, both on a national and international level.

FBT Elettronica Audio Contractor is addressed to the installation market and to electrical wholesalers. Its specific mission is to satisfy all audio system needs with custom-designed equipment that tends to simplify each specific solution.

In particular, with Conference Systems Line, Audio Contractor is addressed to designers, engineers and specialized installers for audio and conference systems in main halls, lecture and conference halls.

Conference SYSTEMS

Conference Systems consists of two systems for lecture and conference installations. Conference System 300 is the simple version for automatic management installation, with chairperson base prioritised. The Conference System 400 performs several conference management modes, with a console or with a software interface.



The complete range of products for amplification systems is presented in the FBT AUDIO CONTRACTOR General Catalogue.



The main advantage of this system is the easiness to install and the possibility to interface it with any kind of audio system, without modifications.

With a single cable can be connected up to 80 microphone bases

The System is designed to handle system operation in **Free conferencing mode** (standard mode for Conference Systems): participants can speak from their bases using the ON button and the Chairperson's base has priority.

Another mode is the **Managed conferencing mode**, divided into:

- automatic (there is no operator in charge),
- manual mode (an operator is in charge of management),
- limited modes, the microphone bases scheduled to speak are limited in number. Limits can also be set to the speaking time (predefined).



Conference SYSTEM 400

The Electronic voting function allows each microphone base to cast a vote (YES-NO-ABSTAINING) and it's possible to disable bases from voting as required.

A version with simultaneous translation is also available upon request.

The LOGOSOFTV80 software program can substitute the console and enables the management of the system. LOGOSOFTV80.2 features also the voice-tracking auto dome camera management.



LOGOSOFT V80
Software program for the management of the system

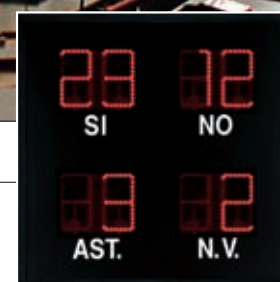


SL BC 400
Microphone base for complete conferencing applications.



AA SL 100
Power supply unit and interface for every audio systems

- **MANUAL CONFERRING OPERATING MODE**
- **AUTOMATIC CONFERRING OPERATING MODE**
- **LIMITED CONFERRING OPERATING MODE**
- **ELECTRONIC VOTING**



SL TL 100
Illuminated electronic board with high visibility



SL CG 444
Management console and operating control unit for the conference system

SLBC 400

Cod. 18135

SLBC 400 is the desktop microphone base that features a gooseneck electret microphone with integral ring-shaped LED to indicate that the microphone is switched on, with a loudspeaker and a base with electronics for full exploitation of the system for conferencing applications.

The backlit LCD installed on the base enables display of all the operations performed, the ballot returns, the status of the base (whether it is enabled or reserved for speaking) as well as the "Finish" and "Slow down" messages sent by the Chairperson (the former) or by a typist or interpreter (the latter).

The Chairperson station is identical to the others except that it also features Priority and Finish functions. A single cable connects all the bases in cascade; the bases can therefore be easily installed and uninstalled (you don't even need a screwdriver!).

The following units having the same characteristics are also available:

- Version with electronic key, model **SLBC400K**,
- Built-in version, model **SLBC405**,
- Built-in version with electronic key, model **SLBC405K**.

Cod. 18230

Cod. 18231

Cod. 18232

SLBC400K and **SLBC405K** use a transponder key that enables/disables the voting station. The contact-free electronic key is available in card format (like a credit card) or keyring format.

This key, unlike the standard magnetic band cards, does not demagnetise or suffer from wear.

A version with simultaneous translation is also available upon request.

SLBC400L, SLBC400KL, SLBC405L, SLBC405KL are stations with 65-cm microphone height



The backlit LCD on the base enables display of all the operations performed and the ballot returns



SLBC 400

Base dimensions: cm 15,5 x 19,5 x 5h - Weight 1,2 Kg

AASL 100

Cod. 18005

AASL 100 is the power supply unit for Logos Conference system with SLBC400 microphone bases, SLCG 444 console and interface for every audio systems. It's equipped with a monitor loudspeaker, with volume and tone regulations for input and output signals, Aux input and recording output; it's also equipped with 4 cup connector to install up to 4 lines for better load distribution and with stopper plugs for non used lines.

It can be used combined with any audio system, without any modification.



AASL 100

Dimensions cm 43,5 x 28,5 x 8,8h - Weight 5 Kg

SLTL 100

Cod. 18154

SLTL100 is the illuminated electronic board on which the votes cast from the SLBC400 microphone Bases of conference system are displayed. The readout includes votes in favour (YES), those contrary (NO), those abstaining (AST) and the participants who have not voted (N.V.). The figures consist of segments with 6 LEDs each; each LED is equipped with a light concentrator so as to enable perfect visibility also from a great distance.

Dimensions cm 70 x 70 x 11,5 - Weight Kg 8



SLTL 100

SLCG 444

Cod. 18153

The SLCG444 management console is the operating control unit for the conference system. It is designed for operation with the SLBC400 microphone bases (with AASL100 power supply unit).

It can manage up to 41 microphone bases (including the Chairperson's) with voting function. The console is designed to handle system operation in two different modes:

free conferencing mode (standard mode for Conference Systems) and **managed conferencing mode**, the latter is divided into manual, automatic or limited modes.

Conference managed in manual mode: an operator is in charge of console management. The console receives requests to speak (sent using the ON button on each base) and enters the corresponding microphone in the waiting list (even for a preset period of time). All the functions pertaining to the Chairperson's station ("priority" and "finish"), as well as the "slow-down" message, remain unchanged.

Conference managed in automatic mode: the console operates automatically when there is no operator in charge of it: participants send a request to speak from their bases (using the ON button), and each base is enabled once the previous speaker has finished. Limits can be set to the speaking time. All the functions pertaining to the Chairperson's base remain unchanged.

Conference managed in limited mode: the microphone bases scheduled to speak are enabled in groups (up to a maximum of 6 Bases at a time). Limits can be set to the speaking time (predefined).

All the functions pertaining to the Chairperson's base remain unchanged.

Electronic voting: the start command (enabled from the

Console through the START VOTING button) allows each microphone Base to cast a vote (YES-NO-ABSTAINING) and to modify it until voting is declared closed (STOP VOTING).

The results are shown on all the Base displays, on the Console display and on the illuminated board (if featured). The number of those who have not voted is also shown. It is possible to disable Bases from voting (as required). Moreover, it manages the voting function performed by the microphone bases and shows the results on its own display as well as on all the microphone base displays and on the illuminated board installed in the room.

These results can also be printed out, provided that the console is connected to a compatible Epson printer.

Dimensions cm 40 x 23 x 17h - Weight Kg 2



SLCG 444

Logosoft V80

Cod. 18007

The kit includes an interface card and a CD with the **Logosoft V80** software program. The interface card connects to the AASL100 power supply unit which substitutes the SLCG444 console, and enables the management of the SLBC400 bases (max 80) with two power supply units.

Software characteristics:

Can manage up to 80 stations, with public or secret casting of votes ergonomically displayed on the screen and configurable by user. Manages conferencing in free mode or by reservation. Speaking time can be scheduled. All the functions listed below can be set by the user:

- Background image (a digital photo can be used);
- Image attributed to each station;
- Name attributed to each station.

During the operations, the screen is continuously updated in order to monitor the number of people who have yet to vote, and the data is saved only after all the ballots have been cast. All the data will then be saved automatically in a database and printed according to the preferences established in the program (for example, according to the casting order or station, or in one or more copies, etc.). The name of the speaker is shown both on the video and print.



User interface



Kit

The software features:

- Password protection for modifying system settings
- Another password for eliminating ballots from the database
- The system allows you to prepare all the titles of the various ballots in advance so they can be quickly called up when needed.
- All the ballots saved on the database can be examined at any time and reprinted, but there is no way that they can be modified (though they can be erased by using the correct password). All the functions can be activated rapidly and intuitively using the mouse.

The PC screen can be displayed using a video projector, which will give you an excellent synoptic picture showing the status of all the stations and the returns.

The system (PC excluded) comes with:

- CD with software in Italian
- Two SLPC501 interface cards
- Two 2-metre serial cables
- Two 2-metre AASL100 connection cables
- Connector cable for connecting the two CV0016 power supply units

Technical specifications:

Requires operating system Windows 9X (not suitable for Windows NT). Minimum configuration:

- Pentium III at 600MHz with 64M Ram,
- Two RS232 9-pin available ports,
- At least 30Mbytes free space on HD,
- 800X600 minimum resolution (256 colours), 1024x768 recommended (65,536 colours). Printer. Mouse.

Logosoft V80.2

Cod. 13002

Logosoft V80.2 differs from **Logosoft V80** because it features also the auto dome camera management, in the middle of the hall:

a Voice-Tracking camera automatically focuses on the active speaker; at the end of the speech, the camera will be on the Chairperson.

The system come with an interface card, a CD with LOGOSOFT V80.2 software and with a voice tracking camera, to be placed in the middle of the hall.

The system (PC excluded) comes with:

- CD with software in Italian
- Two SLPC501 interface cards



Camera Philips G3B

- Two 2-metre serial cables
- Two 2-metre AASL100 connection cables
- Connector cable for connecting the two CV0016 power supply units
- Interface electronic
- hardware key
- 24V 1A Power Supply
- Camera Philips G3B

Technical specifications:

Requires operating system Windows XP Professional Minimum configuration:

- Pentium 4 with 128 MB DDR-SDRAM.
- Three RS232 9-pin available ports.
- HDD 20 GB.
- 1024X768 resolution.
- Printer.
- Mouse.

Conference SYSTEM 300

Conference System 300 is designed to handle free conferencing installations. Each microphone base can be switched on and off and the Chairperson base can be prioritised. A single cable is used for cascade connection of all the bases to each other up to the power supply unit; the Chairman base can be connected at any point of the microphone chain. Each base is supplied with a cable to connect the previous base to the next one. The power supply is then connected to the sound amplification system, without any modification.



SLBC 300

Cod. 18133

SLBC 310 is the delegate microphone base that consists of a gooseneck electret microphone with integral ring-shaped LED to indicate that the microphone is switched on. The base features a loudspeaker, microphone ON/OFF and warning buttons with luminous indicator of the "Finish" message sent by the Chairperson. The chairperson base (model **SLBC 310**) can be prioritised. An AASL300 interface power supply unit is needed to power the bases.

Cod. 18227
Cod. 18228

- **SLBC 305** built-in version for delegate
- **SLBC 315** built-in version for Chairman base
- **SLBC 300L, SLBC 310L, SLBC 305L, SLBC 315L** are stations with 65 cm microphone height .

The system is very easy to install: a single cable is used for cascade connection of all the bases to each other up to the power supply unit AASL300, which is then connected to the sound amplification system. The Chairman base can be connected at any point of the microphone chain.

Base dimensions cm 15,5 x 19,5 x 5h - Weight Kg 1,2



Detail of the base



SLBC 300

AASL 300

Cod. 15092

AASL 300 is the power supply of the conference system Logos used with SLBC300 microphone bases and it allows also interfacing with an amplification system. The system features signal input and output level adjustment, an AUX input and a PA output that can be used for recording. It's also equipped with 2 cup connector to install up to 2 lines for better load distribution. Up to a maximum of 25 microphone bases can be connected.

It can be used combined with any audio system, without any modification.



Dimensions cm 43,5 x 28,5 x 8,8h - Weight 4,5

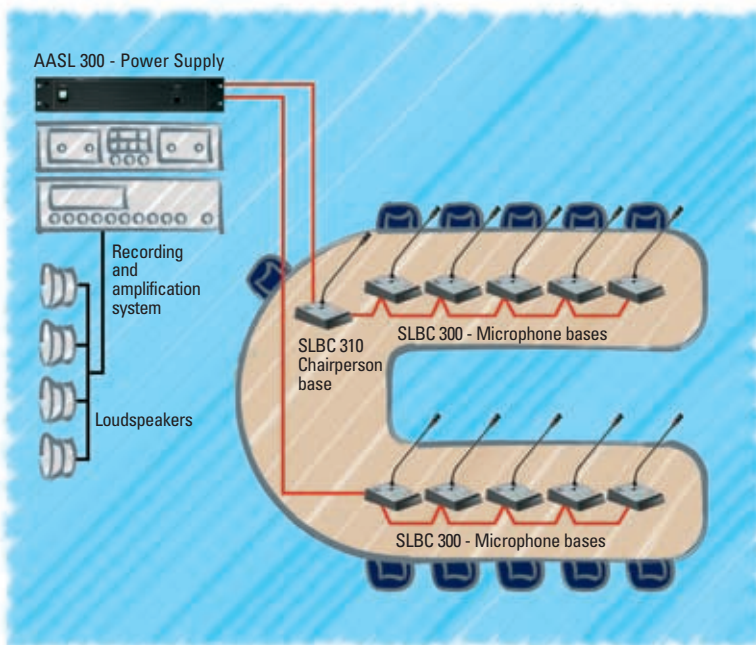
AASL 300

TECHNICAL CHARACTERISTICS

PRODUCT	CONFERENCE SYSTEM 300	
	SLBC 300 MICROPHONE BASE	AASL 300 POWER SUPPLY
Power Supply	17 - 20V DC (to AA SL300)	220V AC - 50HZ
Power input	120 mA max	90 VA
Connections	-	Female cup connector 9 pin jack 6,3 mm (in-out)
Input	-	200 mV balanced 10 KOhm
Output signal	700 mV su 2,2 KOhm	PA 1,5 V22 KOhm unbalanced
Microphone and Response	Electret, cardioid 100±15.000 HZ	-
Speaker Power	1 W	-
Display	-	-
Operating temp. C°	-	10÷45°C
Storing temp. C°	-	5÷45°C
Dimensions	-	cm 28,5x43,5x8,8h
Base dimensions	cm 15,5x19,5x5	-
Weight	Kg 1,2	Kg 4,5
Goosneck length	cm 53	-
Connection cable length	Included 2 mt Optional: CVO271 (2mt), CVO272 (5mt), CVO273 (15 mt)	-
Mounting	-	19" rack monted (2 units RU)

CONFERENCE SYSTEM 400			
SLBC 400 MICROPHONE BASE	SLCG 444 MANAGEMENT CONSOLE	AASL 100 POWER SUPPLY	SLTL 100 ELECTRONIC BOARD
17-20 V DC (by AA SL 100)	12 V DC	V AC - 50Hz	220 V AC - 50Hz
150 mA max	30 VA	50 VA	50 VA
-	Male cup connector 9 pin jack Cup connector 25 pin jack Epson Printers compatible	Female cup connector 9/15 pin jack, Rca (REC), Jack 6,3 mm (IN-OUT)	Female cup connector 9 pin jack
-	-	200 mV balanced 10 KOhm	-
700 mV on 2,2KOhm	-	PA: 1,5 V- 600 Ohm balanced REC: 500 mV-1 KOhm unbalanced	-
electret, cardioid 100±15.000 Hz	-	-	-
1 W	-	-	-
16 characters/2 lines backlitged	16 characters/2 backlit lines	-	-
-	5÷35°C	10/45°C	10÷45°C
-	0÷45°C	5/45°C	5÷45°C
-	cm 40x23x17	cm 28,5x8,8x43,5	cm 70x70x11,5
cm 15,5x19,5x5	-	-	-
Kg 1,2	Kg 2	Kg 5	Kg 8
cm 53 ("L" model cm. 65)	-	-	-
-	Optional: CVO291 (2mt), CVO292 (5mt), CVO293 (15mt)	-	10 mt included
-	-	19" rack monted (2 units RU)	Wall

SYSTEM 300 CONNECTION DIAGRAM



SYSTEM 400 CONNECTION DIAGRAM

